

LOGSET 5HP GT

COMPACT SIX-WHEELER DESIGNED FOR THINNINGS

The Logset 5HP GT is the smallest harvester in the Logset range. It features a powerful 7.4 litre 6-cylinder engine with 169 kW and SCR technology. The small size of the harvester combined with the powerful engine makes the harvester versatile, even though it is mainly designed for thinning operations. The harvester is easy to maneuver and it turns effortlessly. The 34-inch wheels at the back allow the machine to operate in various types of terrains.

COMPONENTS IN BALANCE

The size of the engine, the hydraulics and the mechanical parts of the machine are all perfectly dimensioned for this six-wheeled harvester model. This premium machine is compact and narrow with 22.5-inch wheels on the front chassis. The width of the machine can be narrowed down to 2,5 meters with 600 mm tires. The smaller wheel size makes the Logset 5HP GT slightly lighter than the Logset 6HP GT. The harvester is equipped with the reliable Mesera 221H crane. The outreach of the crane can be chosen between 8.3 m, 10 m and 11 m. The Logset 5HP GT performs well in forests with small and medium diameter trees. Harvester heads like the Logset TH45, TH55 and TH65 all fit on the Logset 5HP GT. All harvester heads in the TH-series are designed for easy and precise operation.

ECONOMIC

The Logset 5HP GT, with its AGCO Power diesel engine, is guaranteed to be the most economic choice compared to other harvesters in its size class. Due to the successful combination of engine size, hydraulics and the new Logset TOC-MD 2, the engine runs easier and the operator will notice this clearly in lower fuel consumption.

LOGSET GT Harvester



5HP GT

Harvester range 12/19 - EN
We reserve the right to make changes without prior notice.
All technical specifications are for guidance only.
The pictures and diagrams do not always show standard versions of the machines.
Copyright Logset Oy.



LOGSET

Logset Oy
Hännisentie 2
FI-66530 Koivulahti
FINLAND
Tel. +358 10 286 3200

LOGSET
SIMPLY BETTER
www.logset.com

SIMPLY BETTER

LOGSET

Key features of the Logset harvester

ENGINE

The powerful AGCO Power engines with SCR technology deliver high torque at low engine speed, offering the best fuel economy in their range. The Logset 5HP GT has a 7.4 LFTN 169 kW (230 hp) engine.

CABIN

The cabin has excellent all-round visibility. The upgraded work light guard protects the work lights and cabin roof even better. The new design decreases the transportation height and gives the cabin an eye-pleasing, elegant profile. The cabin's low noise level is a key factor for operator comfort.

CRANE

The Mesera cranes have an optimal geometry. The Mesera 221H crane on the Logset 5HP GT has an outreach of 8.3, 10 or 11 meters. This crane model is fast, agile and reliable to operate.

CONTROL SYSTEM TOC-MD 2

Logset's own control system, the Total Operation and Control Measuring Device 2 (TOC-MD 2) for the harvester head maximizes the production and is easy to navigate and to use. The technology is thoroughly proven through the years. Features like the adaptive feed optimization make the operator's life easier and the machine more productive.

FUEL AND HYDRAULIC TANKS

The total volume of the fuel tank is 600 litres, which is large compared to other harvesters in this size class. The operator gets more productive time in the forest. The fuel tank and hydraulic tank can be tilted to the side when service access to the hydraulic pumps is needed.

TRANSMISSION

The transmission is controlled and optimized by the TOC 2 control system. The combination of reliable NAF-bogies and a powerful frame lock system which uses large hydraulic cylinders ensure the perfect stability of the harvester. Hydraulically or mechanically balanced bogies are available as optional equipment.

HYDRAULICS

The Logset 5HP GT offers 285 l/min at 1500 rpm, which is ideal for this type of machine to reach high productivity and excellent fuel economy. The right balance for the best output.

HARVESTER HEAD

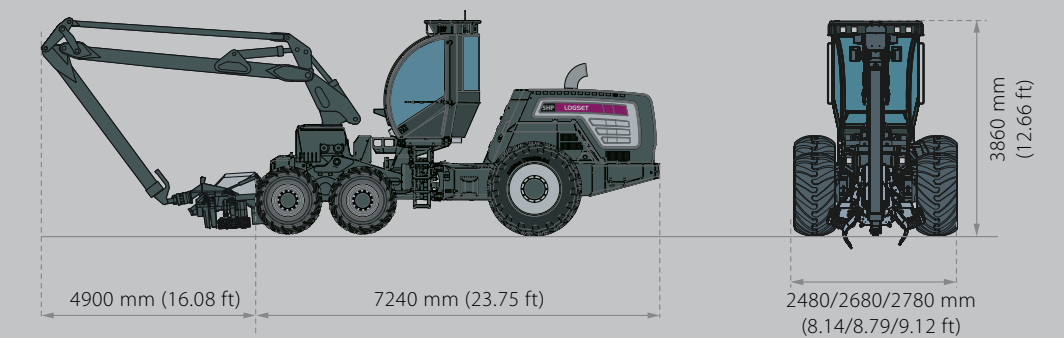
The Logset TH harvester head is key to higher productivity. The Logset 5HP GT can be equipped with a TH45, TH55 or TH65 harvester head, whichever size best meets the needs.

Technical data



MODEL	5HP GT
DIMENSIONS	
Own weight, kg from	15 000 (33 100 lbs)
ENGINE (EUROPE)	
Type	AGCO Power 74 LFTN
Stage	Stage V
Power at 1850 rpm, kW	169 (230 hp)
Torque at 1500 rpm, Nm	1 000
Fuel tank, l	600
DEF, l	40
TRANSMISSION	
Type	Hydrostatic mechanical
Tractive effort, kN	135 (30 350 lbf)
Gear box	2 gears
HYDRAULIC SYSTEM	
Flow 1000 rpm, l/min	190 (50 US gal)
Hydraulic oil tank, l	240 (63 US gal)
CABIN	
Control system	TOC 2
Measuring device	TOC-MD 2
Battery voltage	24 V
Option	Safety tested and approved cabin • Rotating and levelling cabin
TYRES	
Front	600/50-22.5; 710/40-22.5
Rear	600/65-34; 700/55-34
CRANE OPTIONS	
Crane	Mesera 221H
Lifting capacity, kNm	188 (138 660 ft lb)
Reach options, m	8.3/10/11 (27.23/32.81/36.09 ft)
HARVESTER HEADS	
Model options	TH45, TH55, TH65
OPTIONAL EQUIPMENTS	
	Contact your local dealer for more information about options

LOGSET 5HP GT



SIMPLY BETTER

LOGSET